

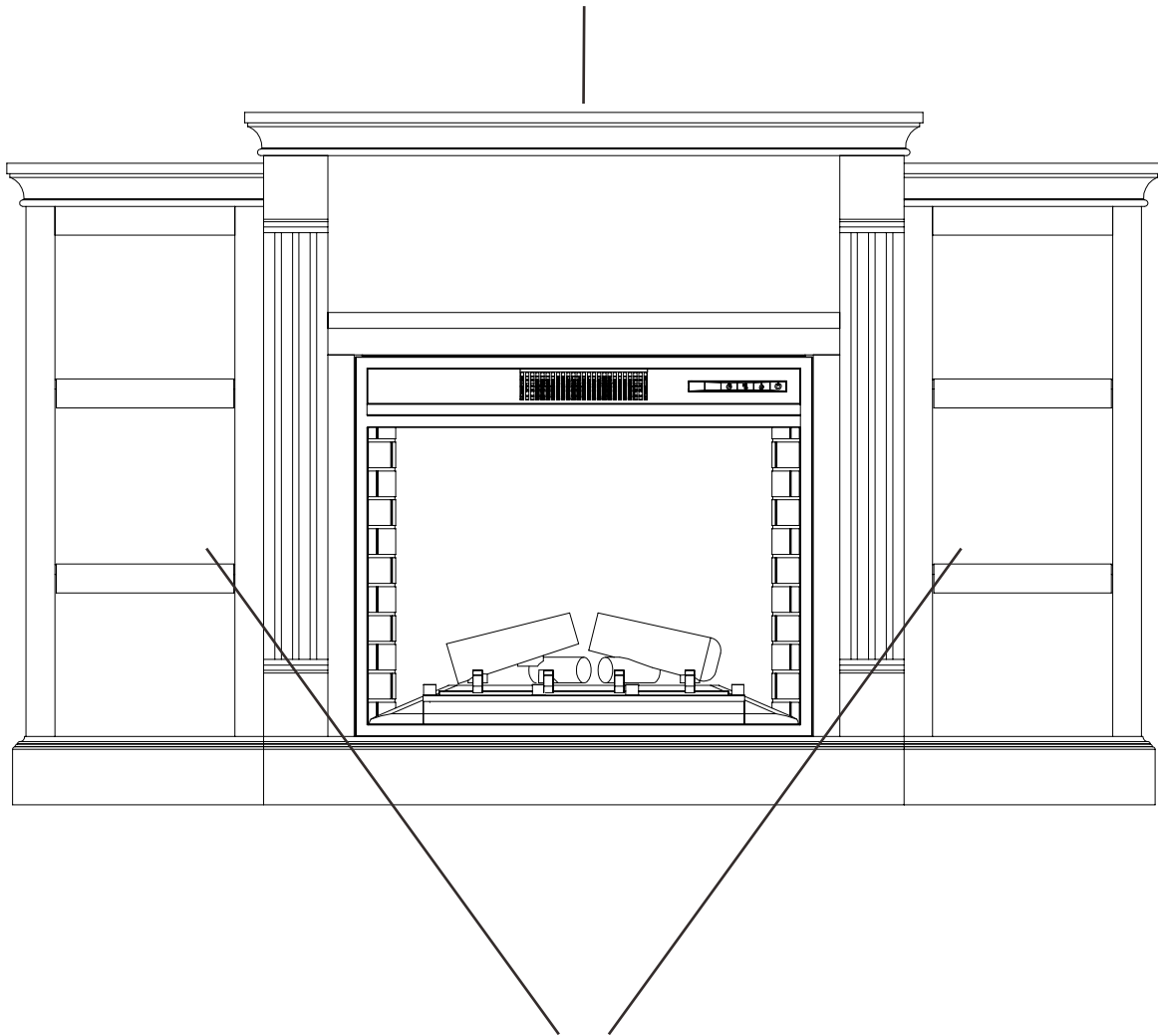


Weight Limitation

**17** Shelf

**132** Top

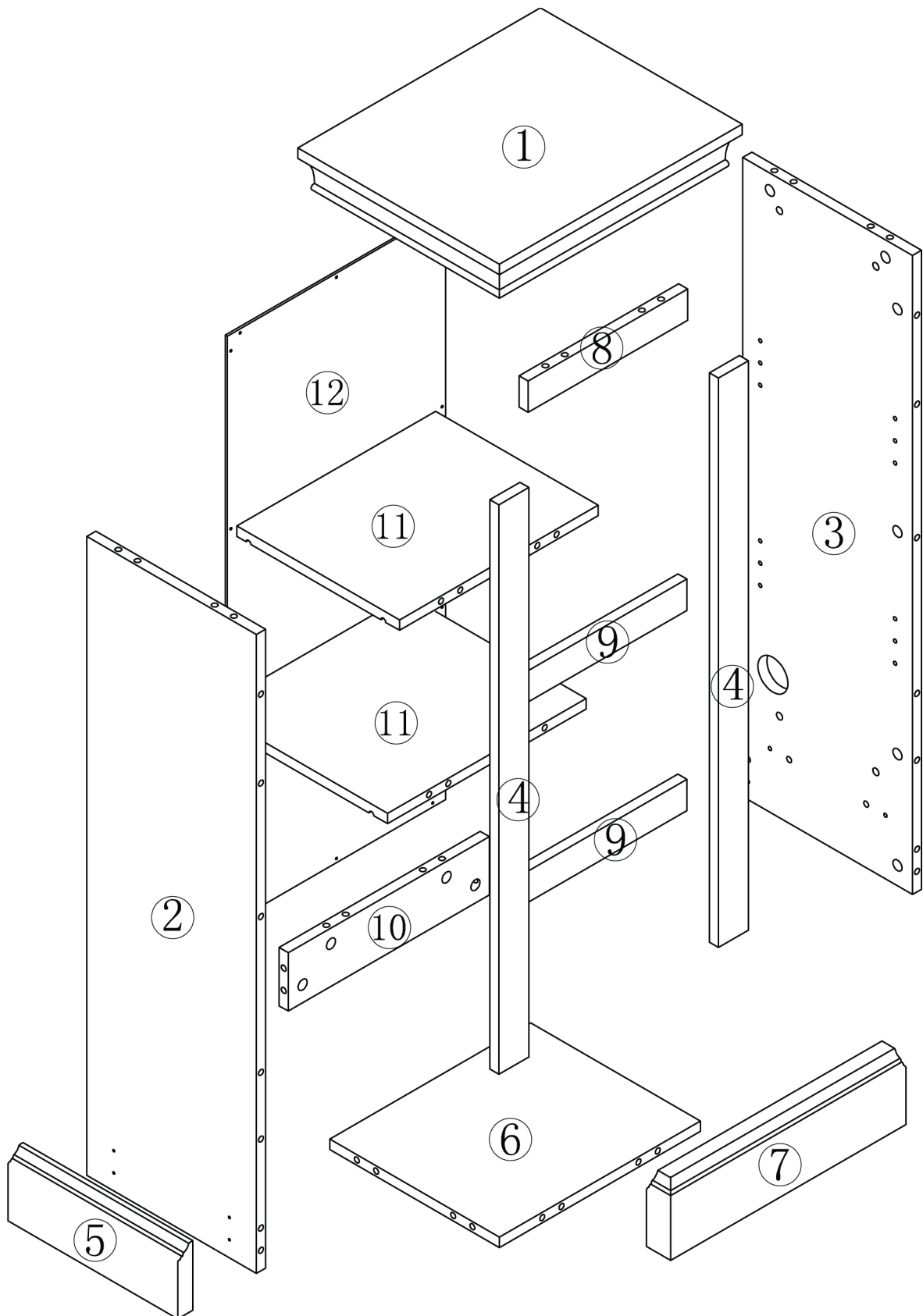
Maximum Load  
132 lb / 60 kg



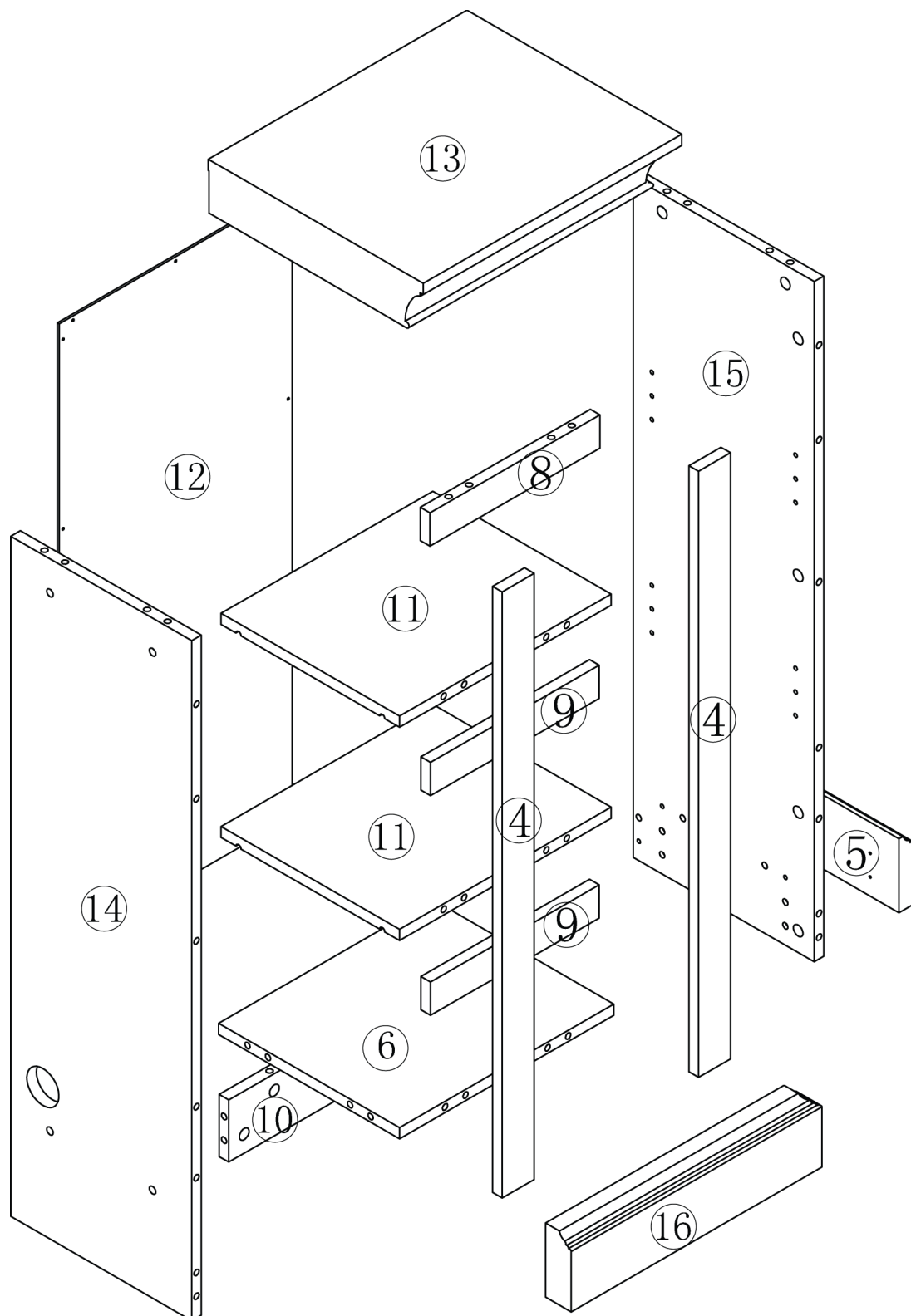
Maximum Load  
17 lb / 8 kg

# PACKAGE CONTENT

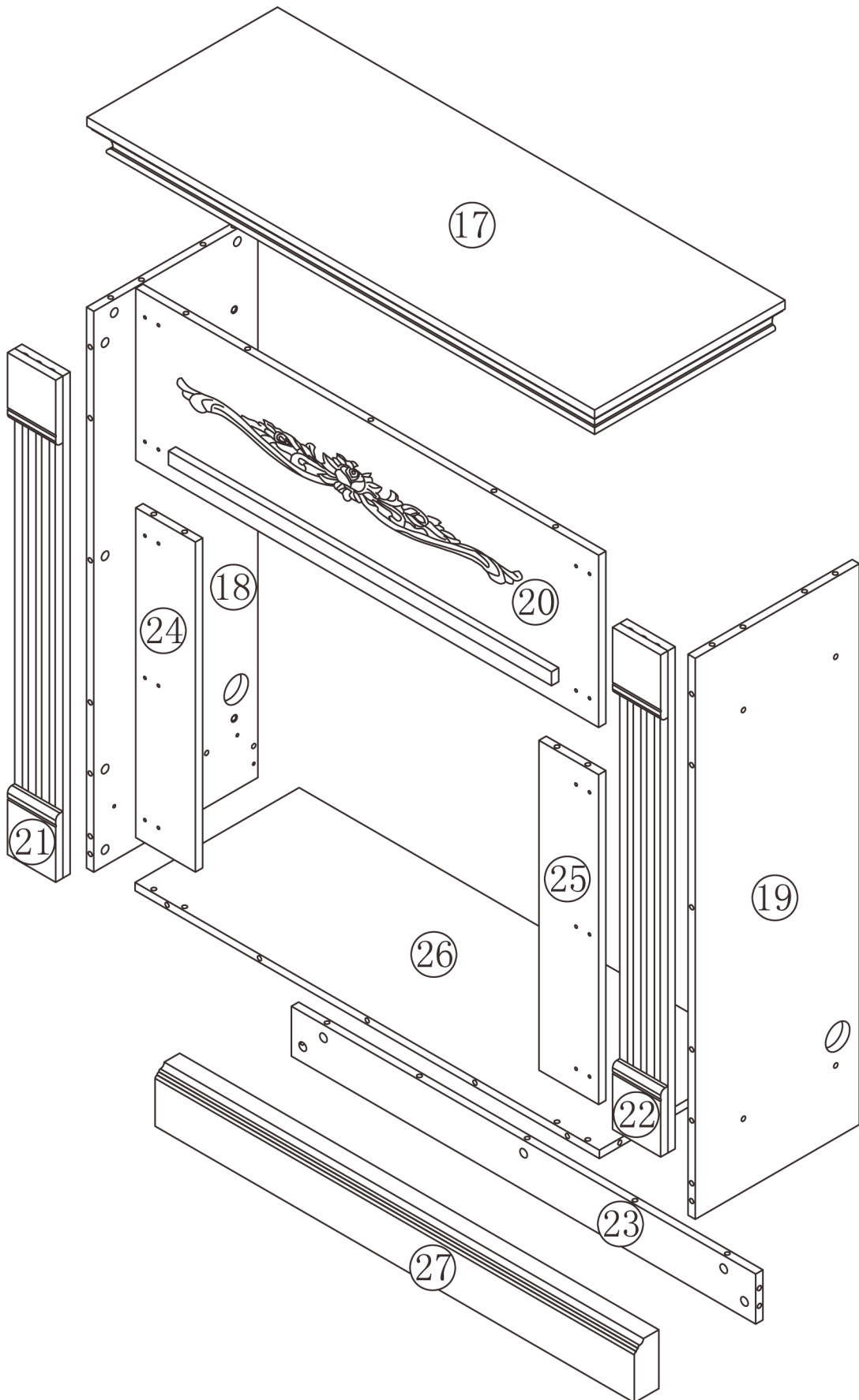
## Left Cabinet



# Right Cabinet



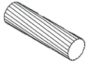



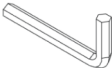








# Middle Cabinet

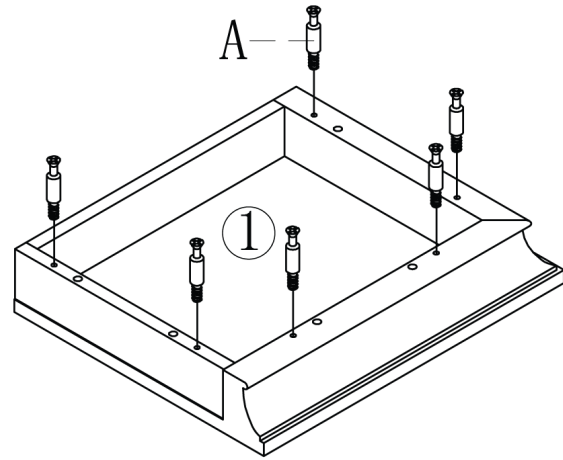




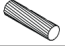
| CODE | DESCRIPTION                             | QTY |
|------|---|-----|
| 1    | Left Cabinet Top Panel                  | 1   |
| 2    | Left Cabinet Left Side Panel            | 1   |
| 3    | Left Cabinet Right Side Panel           | 1   |
| 4    | Left and Right Cabinet Side Trim        | 4   |
| 5    | Left and Right Cabinet Lower Panel      | 2   |
| 6    | Left and Right Cabinet Case             | 2   |
| 7    | Left Cabinet Front Lower Panel          | 1   |
| 8    | Left and Right Cabinet Upper Panel      | 2   |
| 9    | Left and Right Cabinet Shelf Trim       | 4   |
| 10   | Left and Right Cabinet Back Lower Panel | 2   |
| 11   | Left and Right Cabinet Shelf Panel      | 4   |
| 12   | Left and Right Cabinet Back Panel       | 2   |
| 13   | Right Cabinet Top Panel                 | 1   |
| 14   | Right Cabinet Left Side Panel           | 1   |
| 15   | Right Cabinet Right Side Panel          | 1   |
| 16   | Right Cabinet Lower Panel               | 1   |

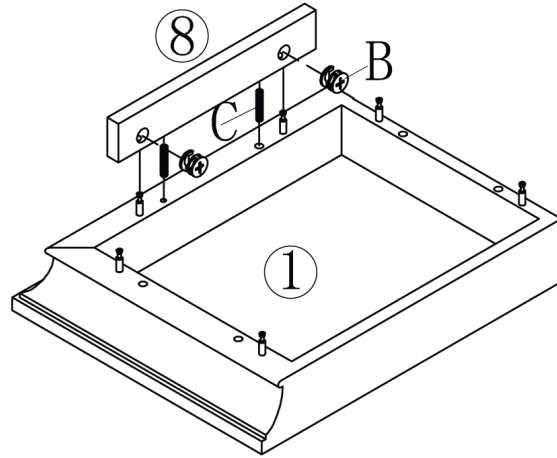
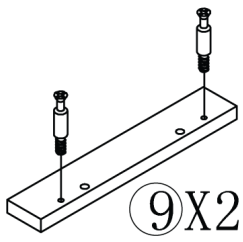
| CODE | DESCRIPTION                      | QTY |
|------|----------------------------------|-----|
| 17   | Middle Cabinet Top Panel         | 1   |
| 18   | Middle Cabinet Left Side Panel   | 1   |
| 19   | Middle Cabinet Right Side Panel  | 1   |
| 20   | Middle Cabinet Front Panel       | 1   |
| 21   | Middle Cabinet Left Trim         | 1   |
| 22   | Middle Cabinet Right Trim        | 1   |
| 23   | Middle Cabinet Front Trim        | 1   |
| 24   | Middle Cabinet Left Panel        | 1   |
| 25   | Middle Cabinet Right Panel       | 1   |
| 26   | Middle Cabinet Case              | 1   |
| 27   | Middle Cabinet Front Lower Panel | 1   |

| CODE | PICTURE   | DESCRIPTION           | QTY    |
|------|---|-----------------------|--------|
| A    |    | Cam Bolt              | 83 + 3 |
| B    |    | Cam Lock              | 83 + 3 |
| C    |    | Long Wood Dowel       | 82 + 2 |
| D    |    | Plastic Cover         | 33 + 2 |
| E    |    | Shelf Holder          | 16 + 1 |
| F    |    | Inner Hexagon Screw   | 8 + 1  |
| G    |    | M4 Allen Wrench       | 1      |
| H    |   | Flat Gasket           | 8      |
| I    |  | Spring Gasket         | 8      |
| J    |  | Long Flat Head Screw  | 8      |
| K    |  | Short Flat Head Screw | 20 + 1 |
| L    |  | Screw                 | 28 + 2 |
| M    |  | Touch-up pen          | 1      |

# 1

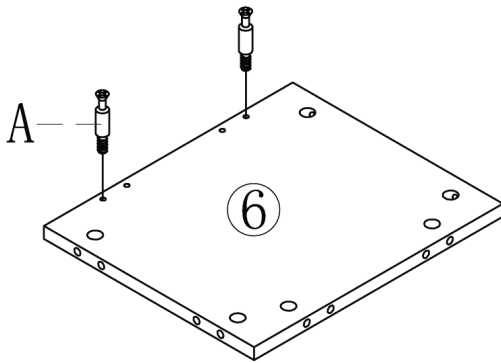



|   |   |    |
|---|---|----|
| A |  | 10 |
| B |  | 2  |
| C |  | 2  |

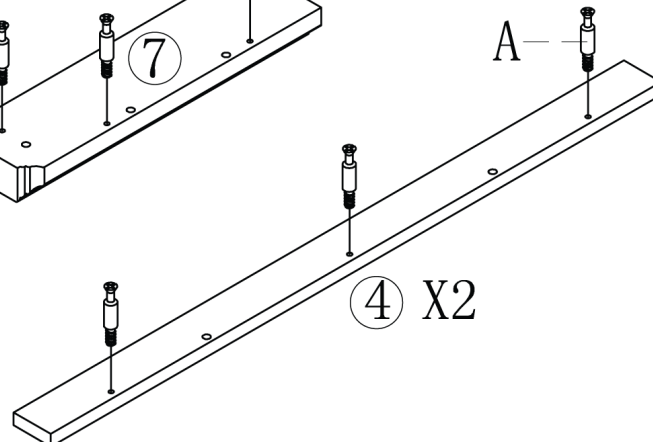
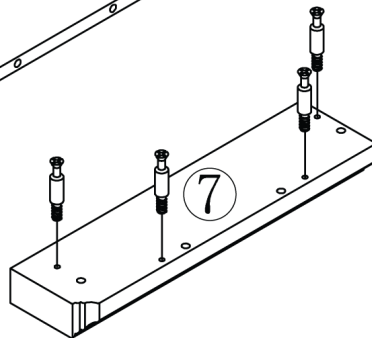


---

# 2

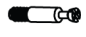



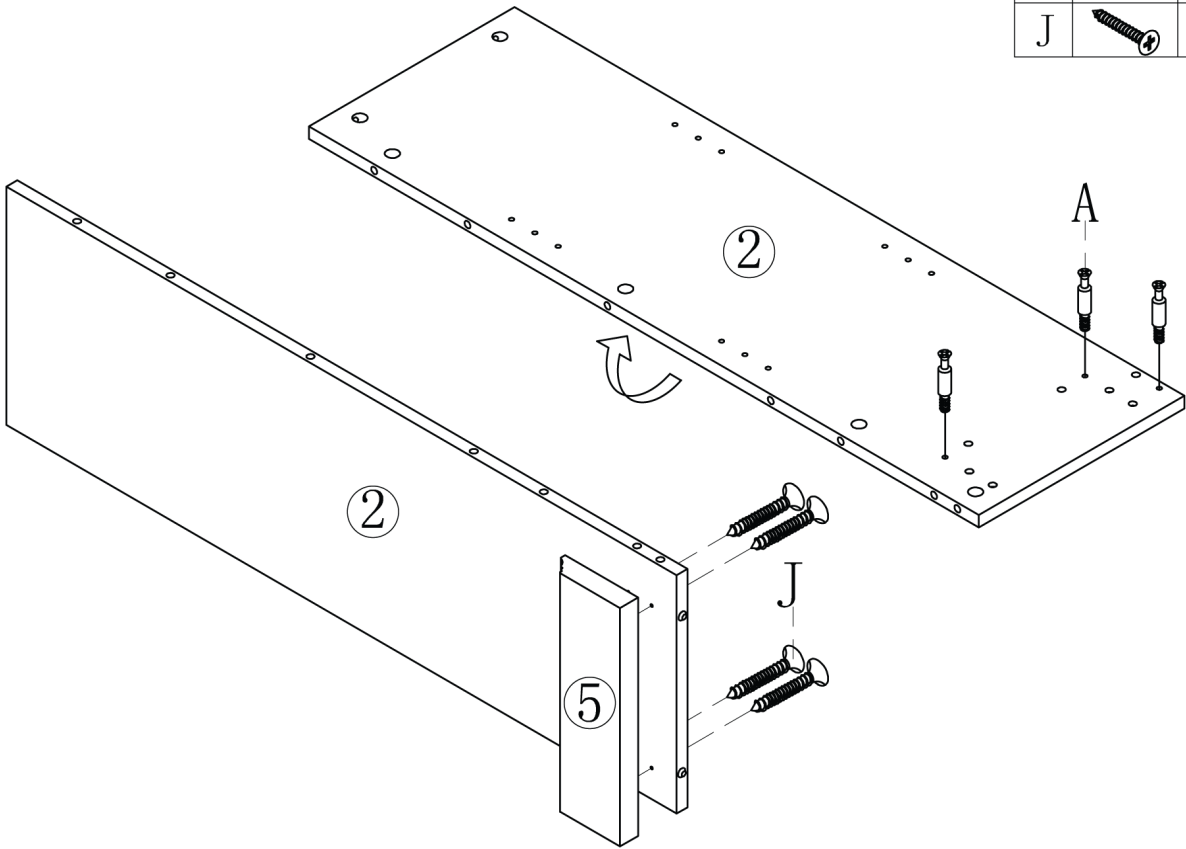
|   |   |    |
|---|---|----|
| A |  | 12 |
|---|---|----|



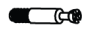

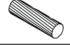


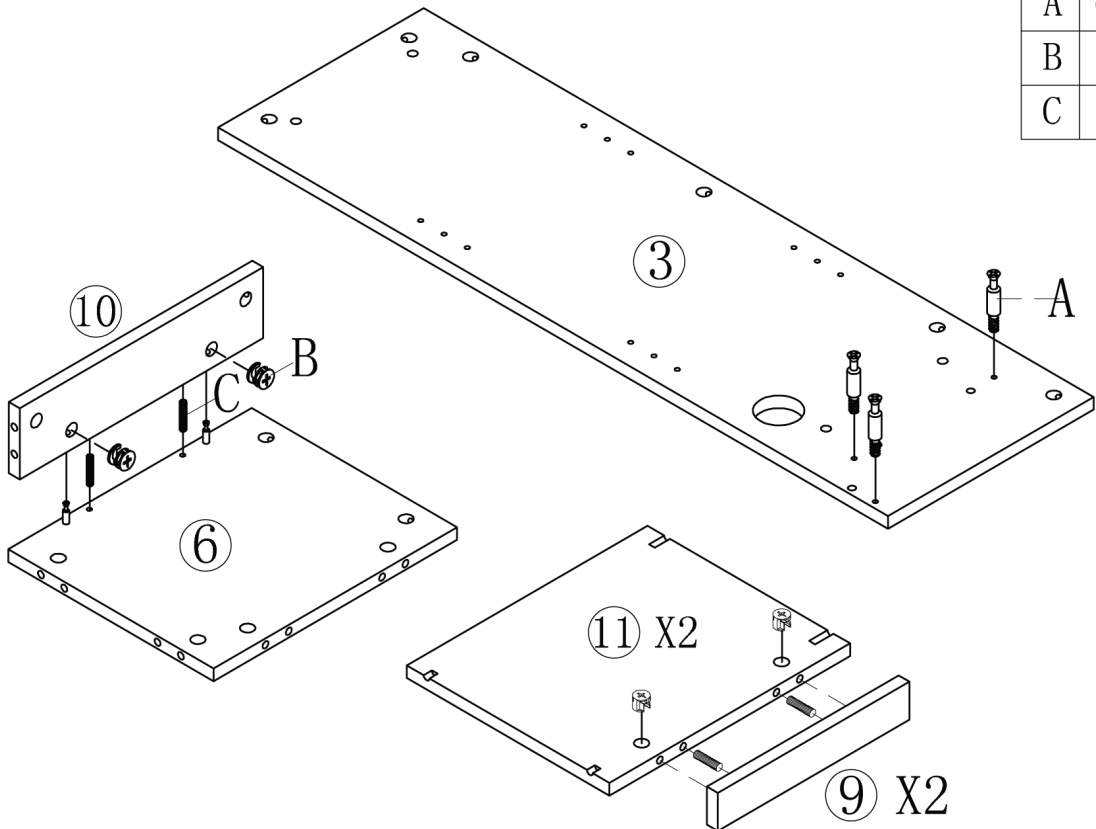
# 3

|   |   |   |
|---|---|---|
| A |  | 3 |
| J |  | 4 |

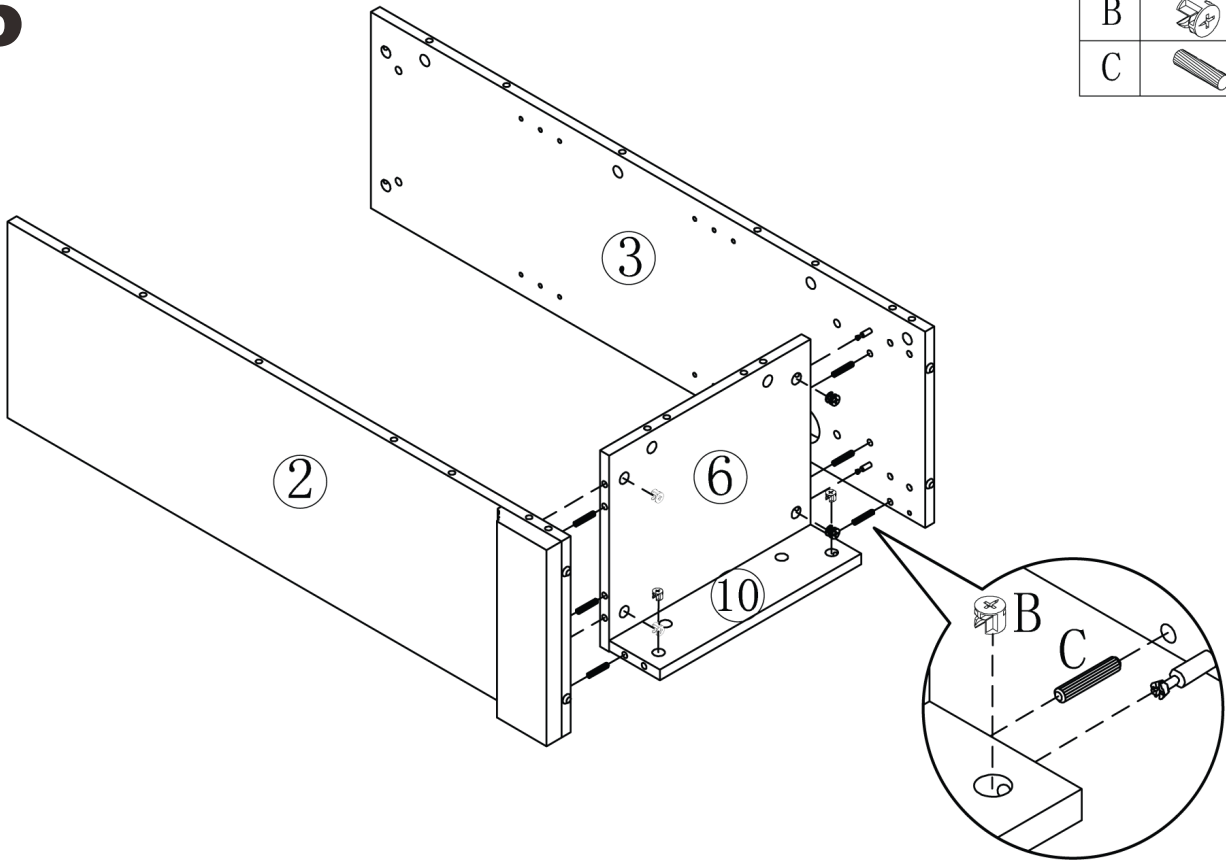



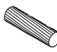
# 4

|   |   |   |
|---|---|---|
| A |  | 3 |
| B |  | 6 |
| C |  | 6 |

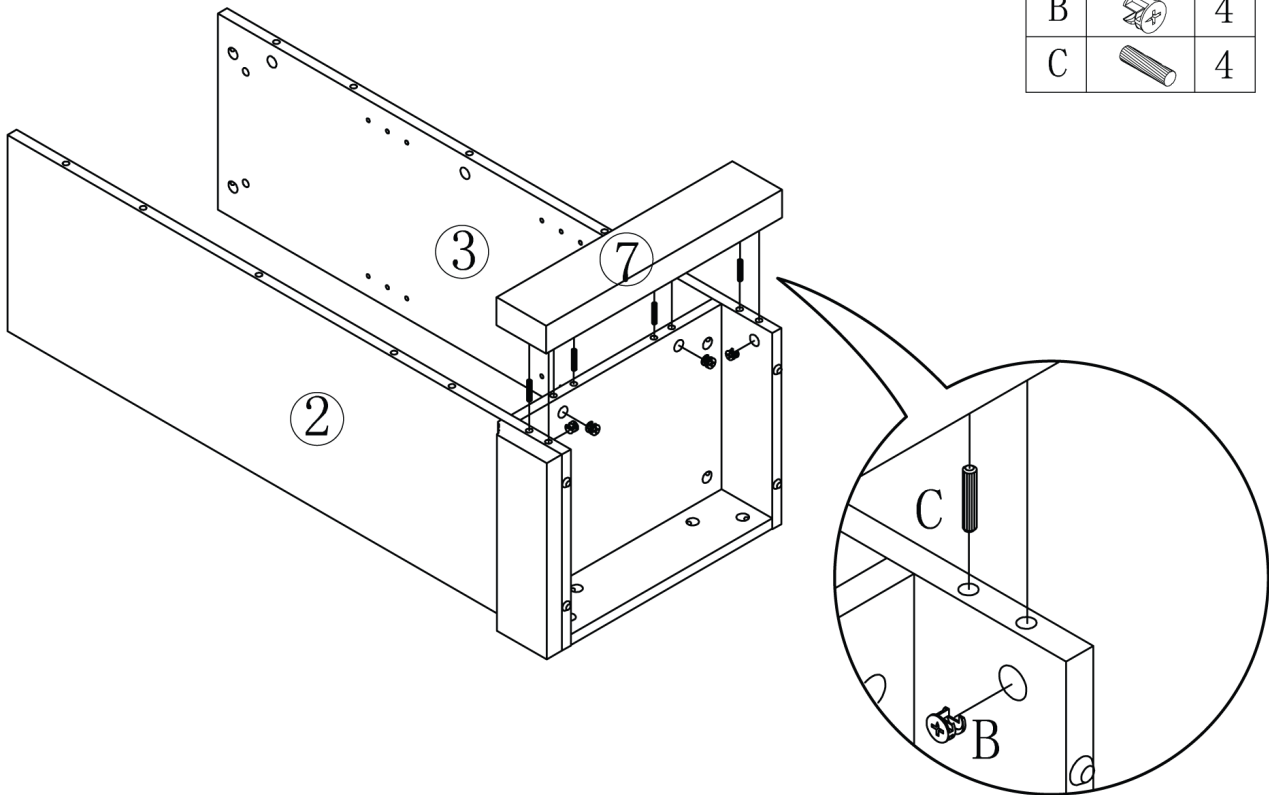



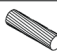
# 5




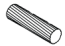

|   |   |   |
|---|---|---|
| B |  | 6 |
| C |  | 6 |

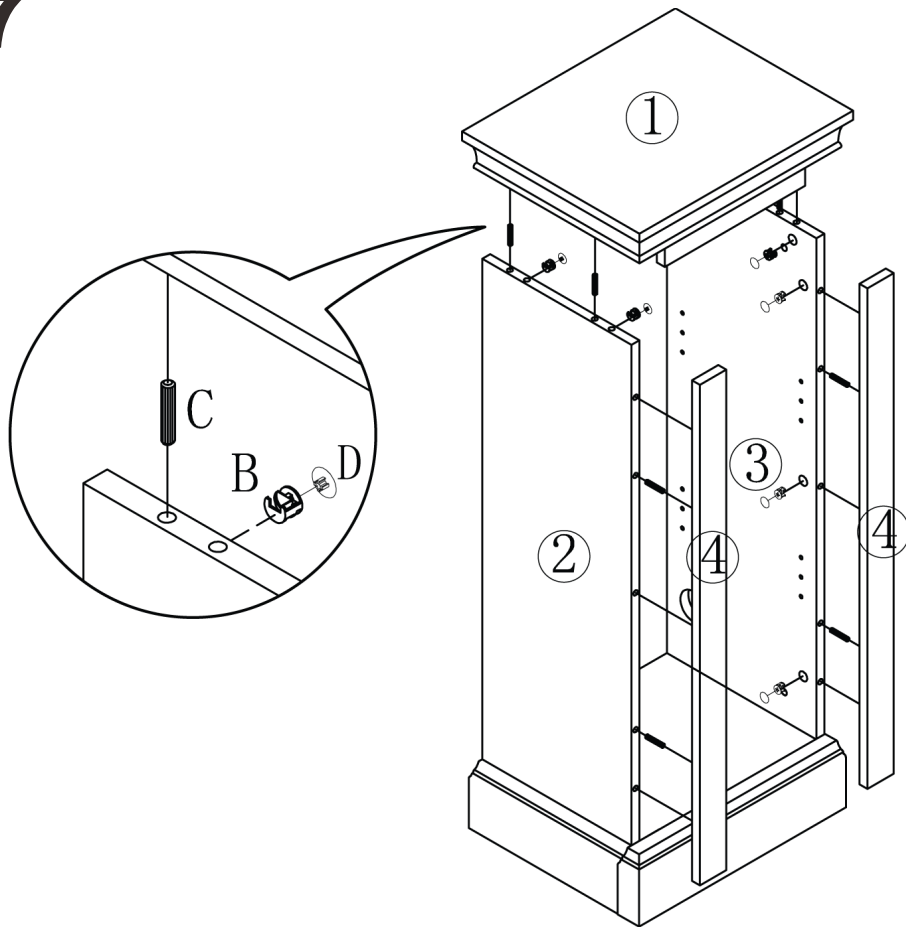
# 6



|   |   |   |
|---|---|---|
| B |  | 4 |
| C |  | 4 |

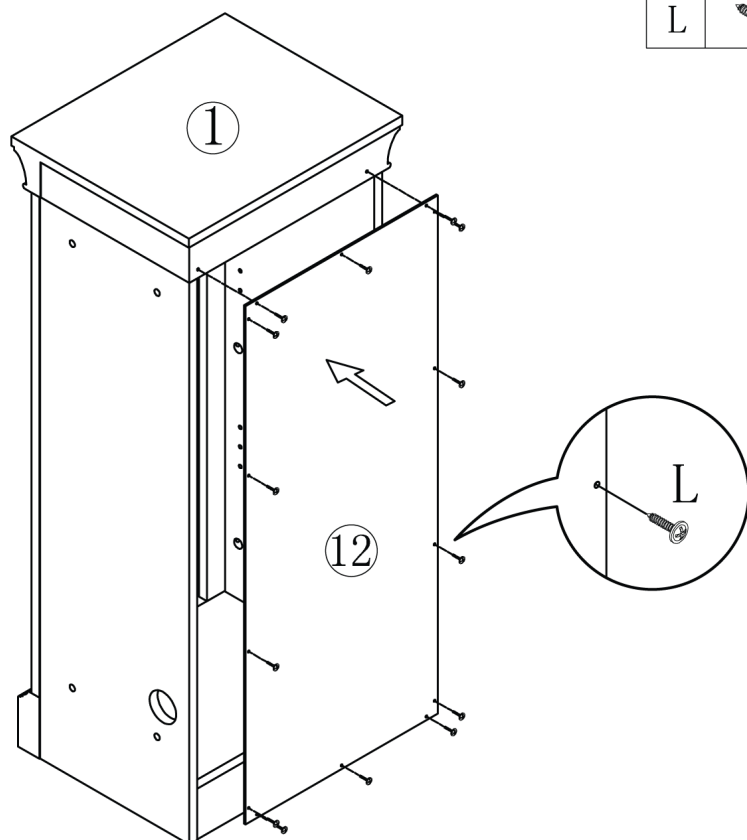
# 7

|   |   |    |
|---|---|----|
| B |  | 10 |
| C |  | 8  |
| D |  | 10 |




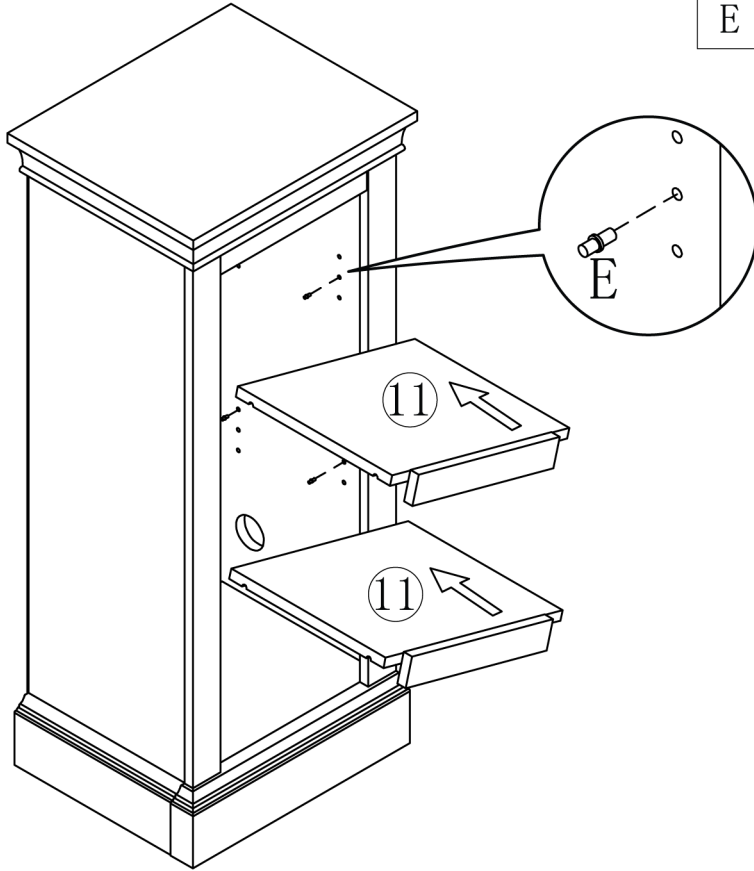
# 8

|   |   |    |
|---|---|----|
| L |  | 14 |
|---|---|----|



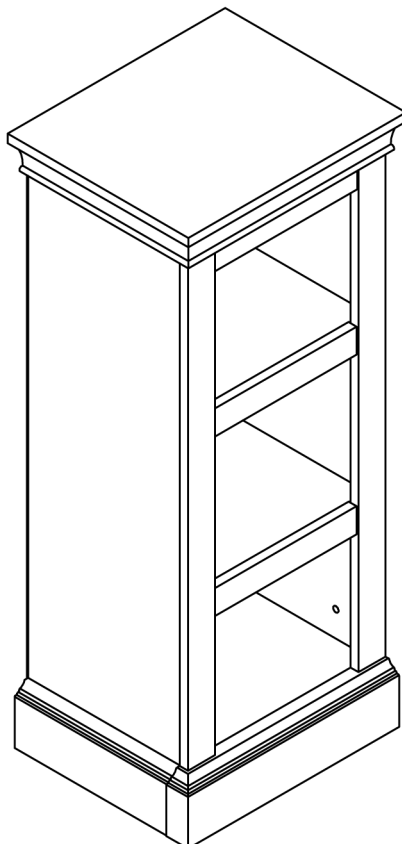
# 9

|   |   |   |
|---|---|---|
| E |  | 8 |
|---|---|---|



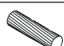


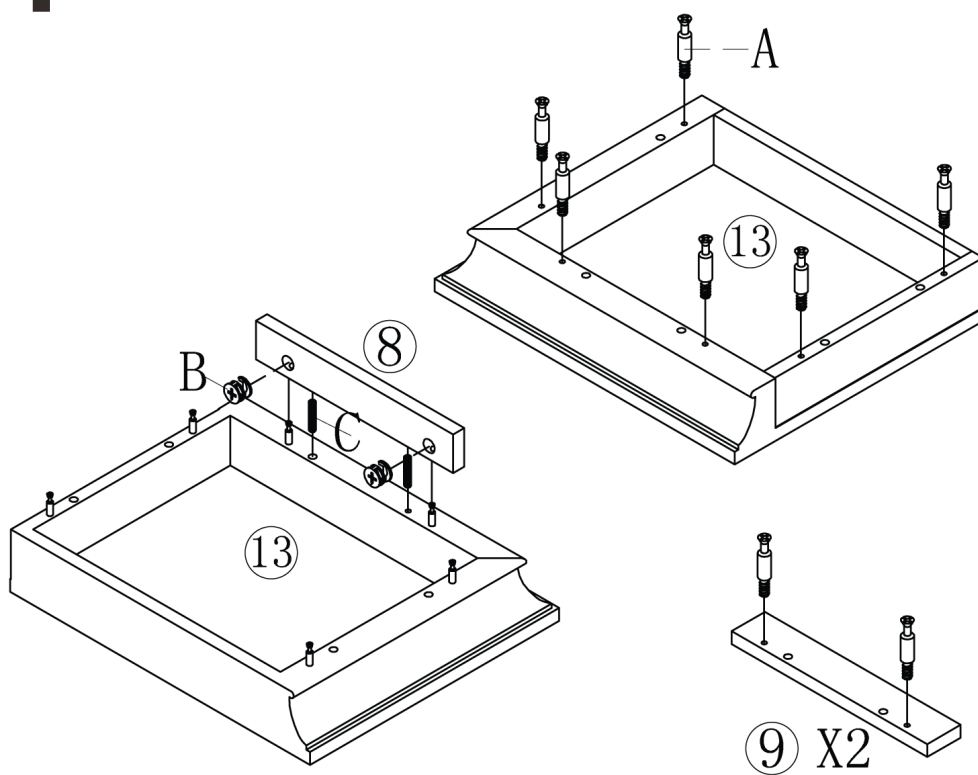
---

# 10



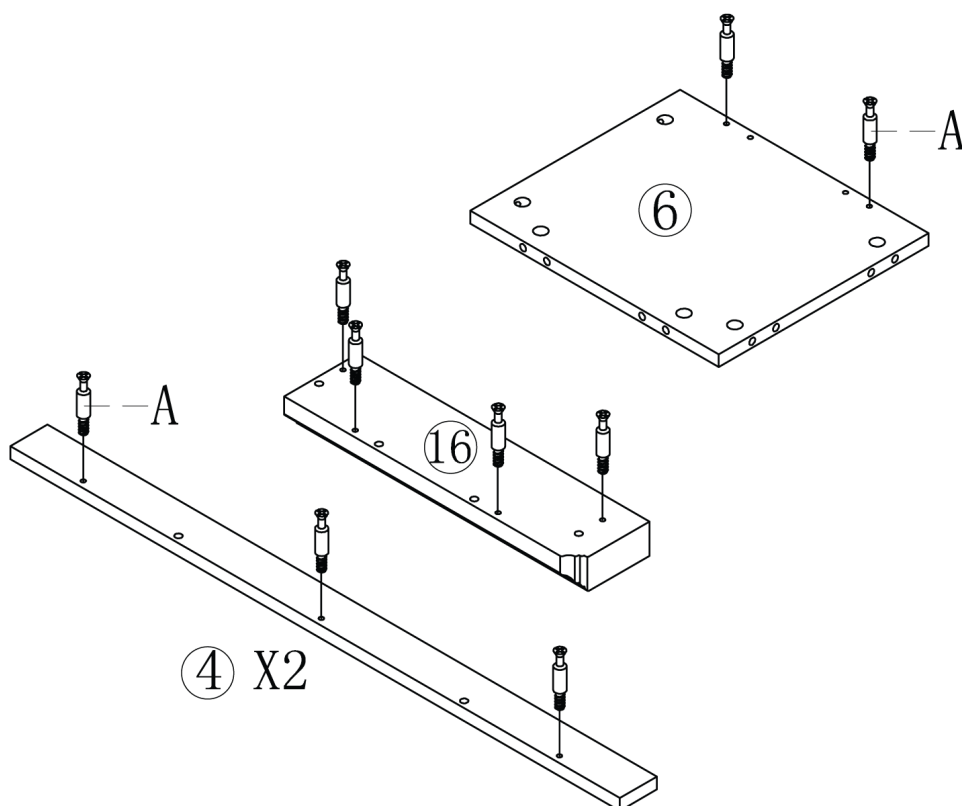
# 11

|   |   |    |
|---|---|----|
| A |  | 10 |
| B |  | 2  |
| C |  | 2  |

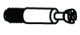



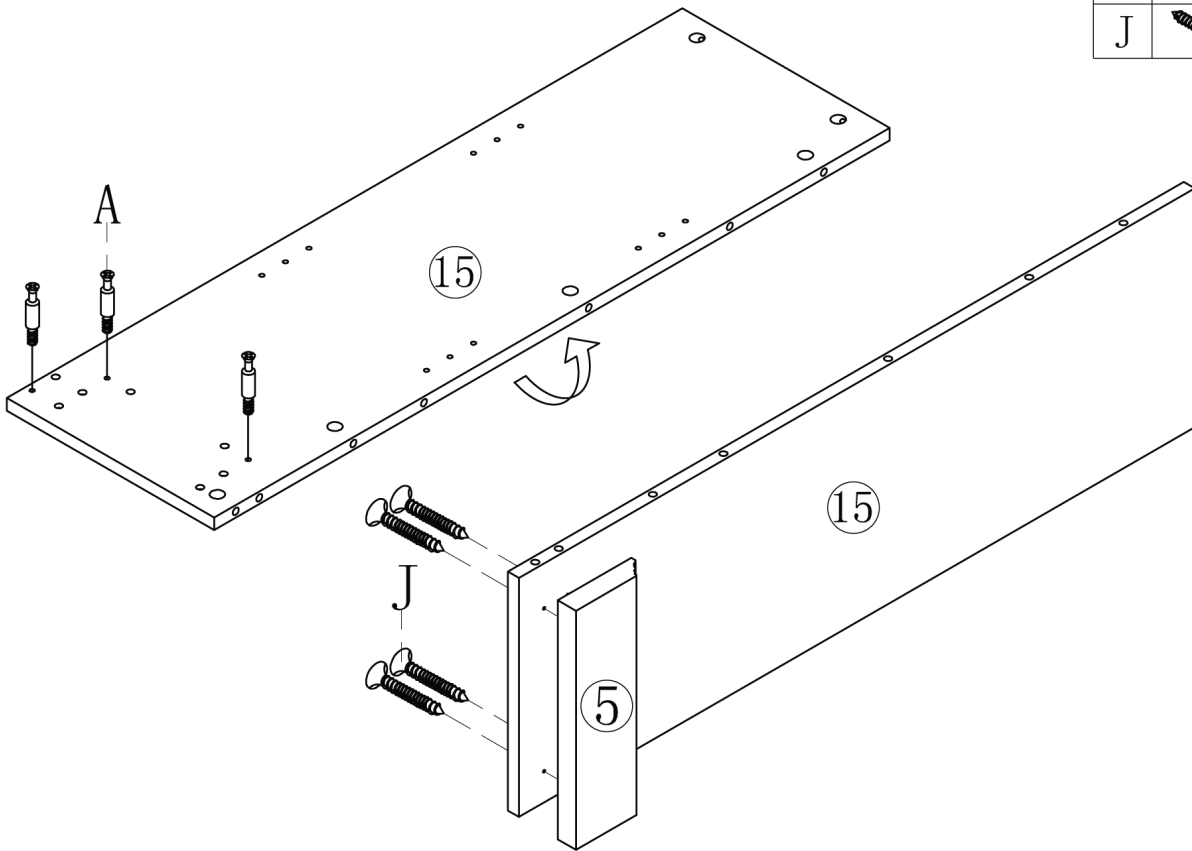
# 12

|   |   |    |
|---|---|----|
| A |  | 12 |
|---|---|----|

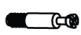

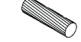


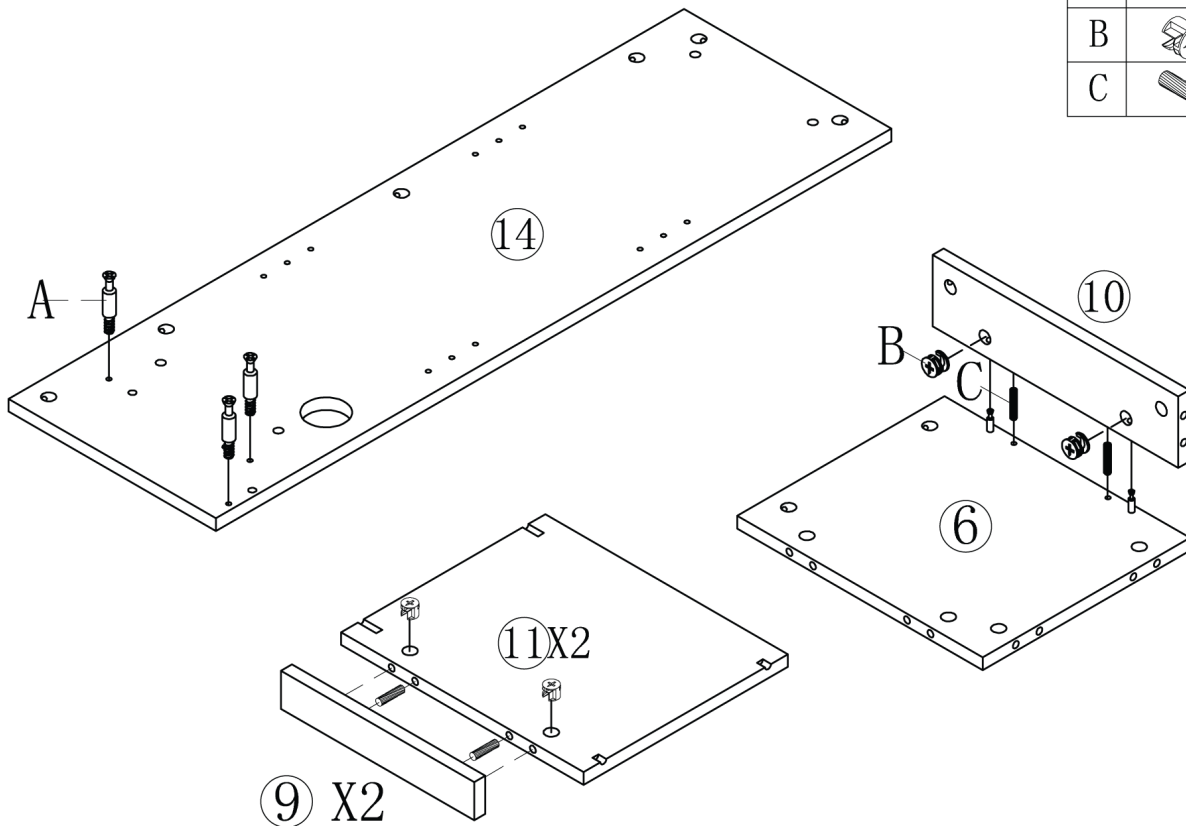
# 13

|   |   |   |
|---|---|---|
| A |  | 3 |
| J |  | 4 |

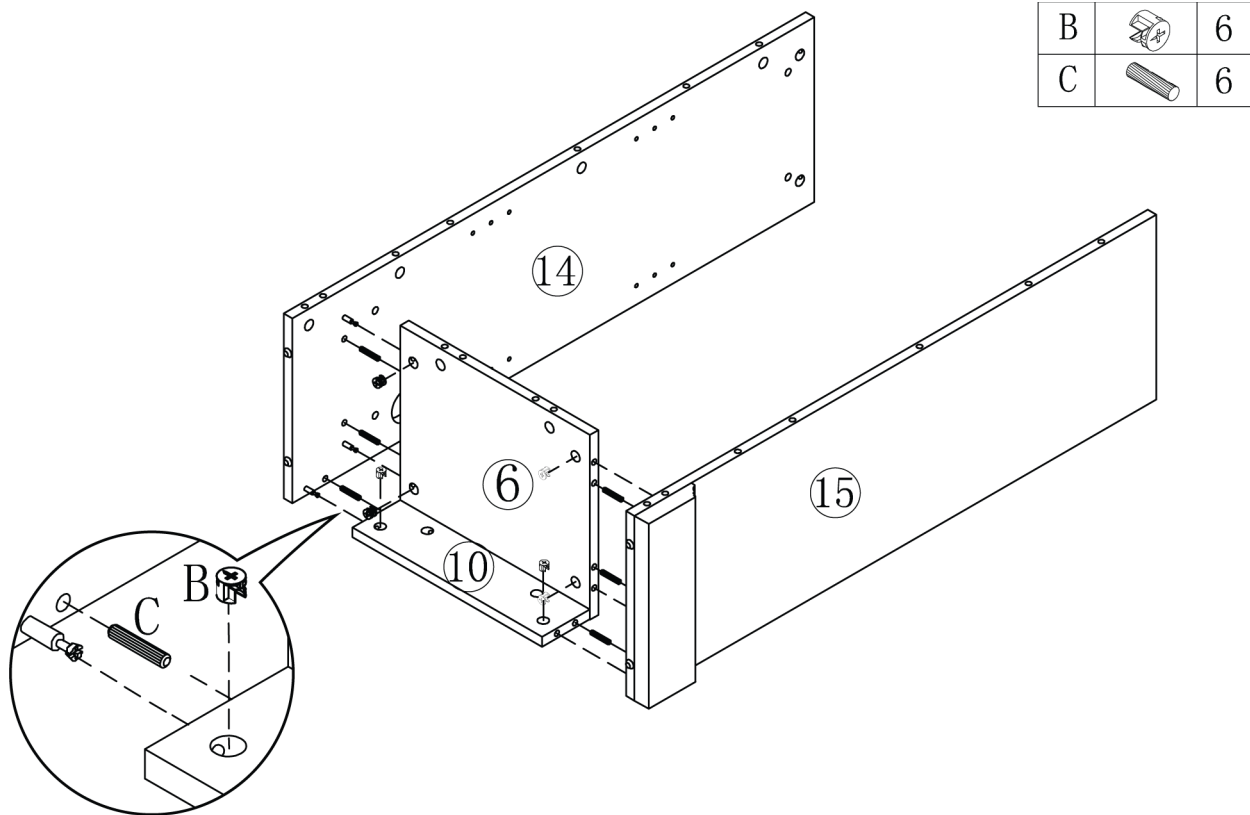


# 14

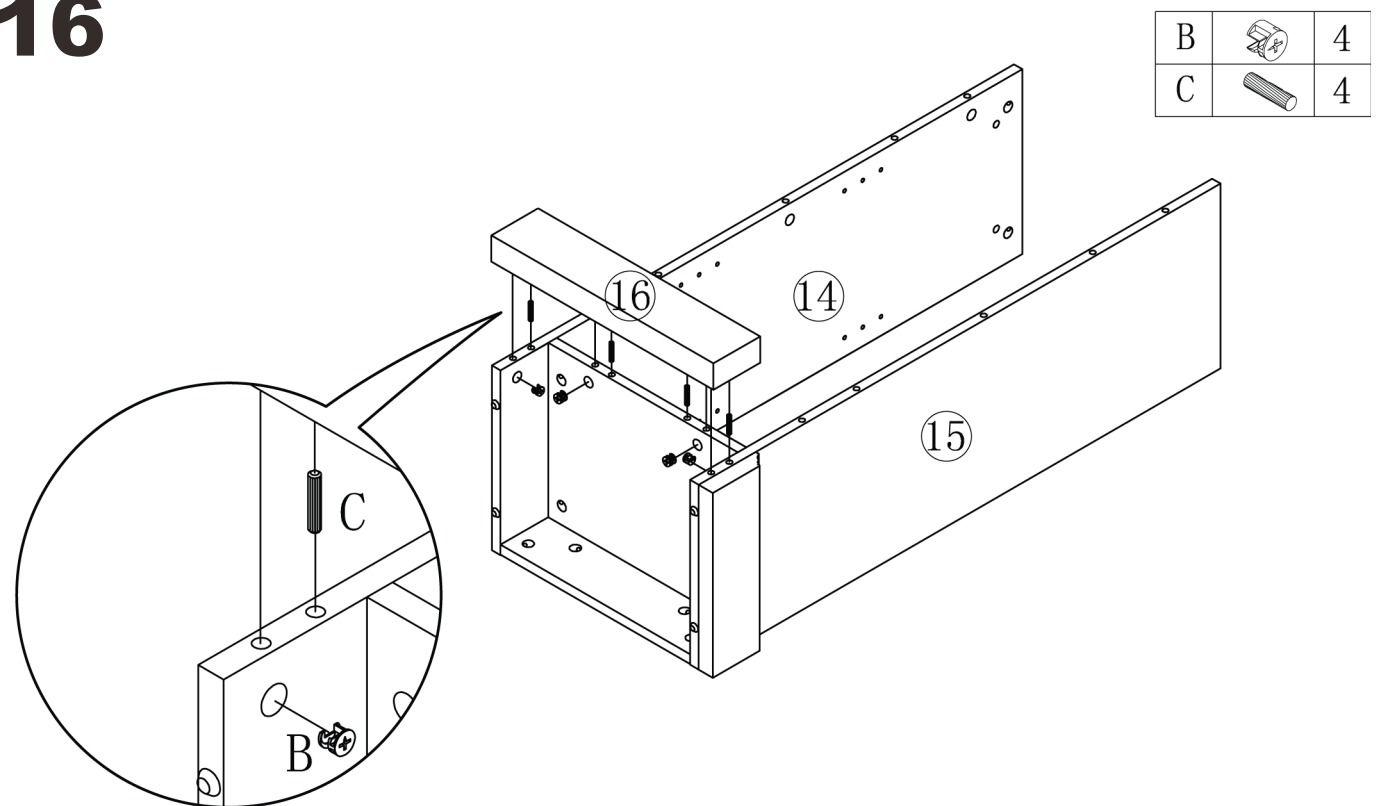
|   |   |   |
|---|---|---|
| A |  | 3 |
| B |  | 6 |
| C |  | 6 |



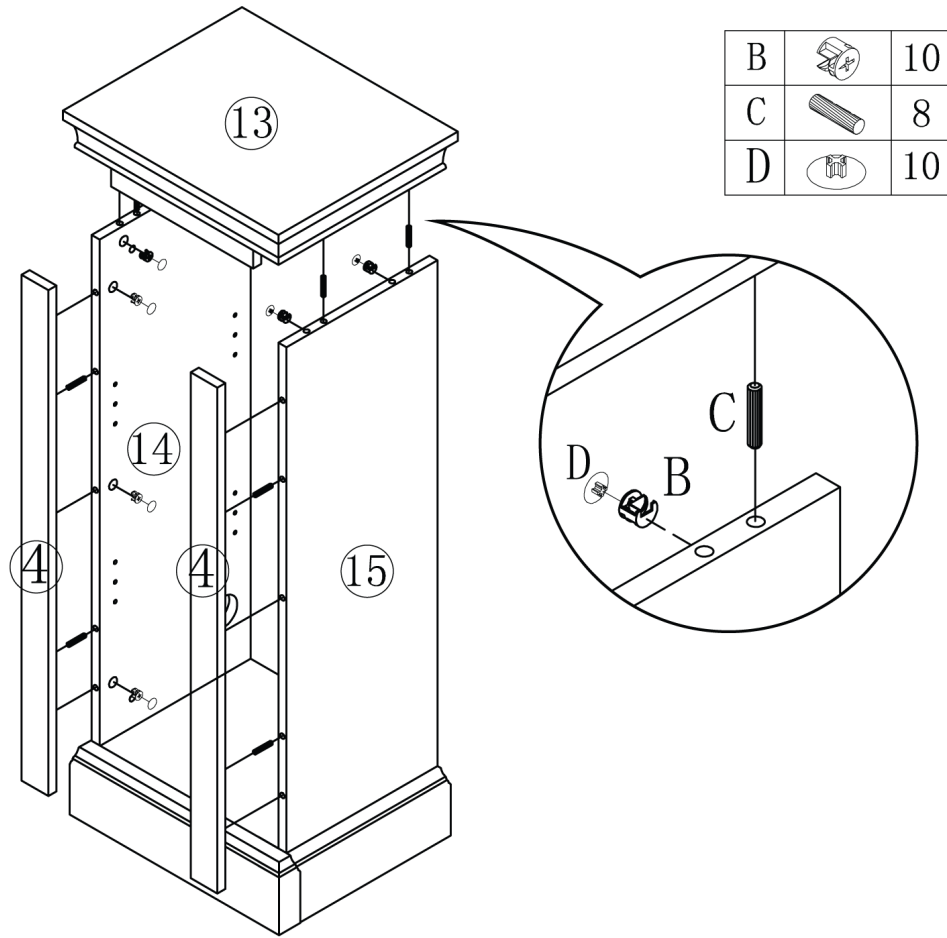
# 15



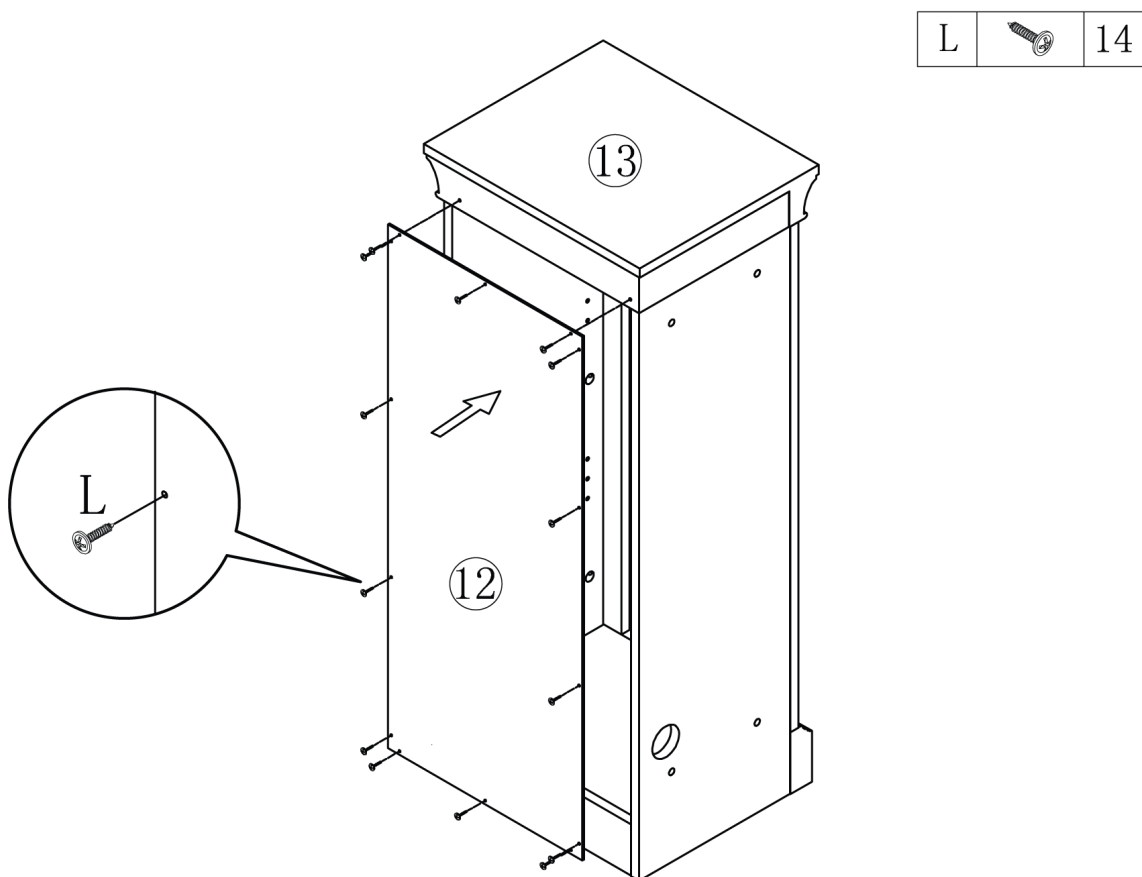
# 16



# 17



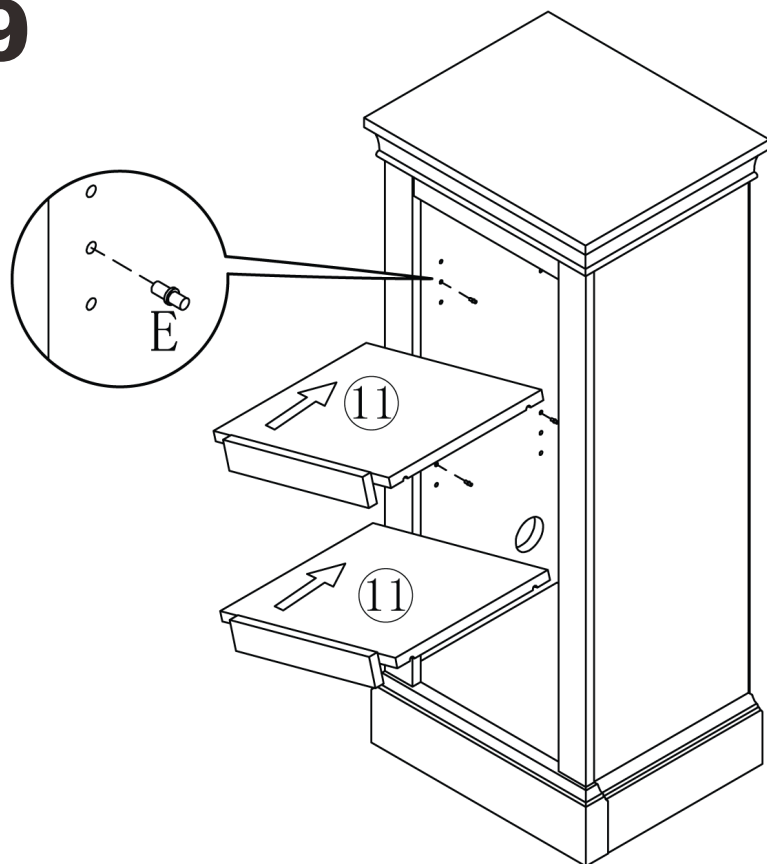
# 18





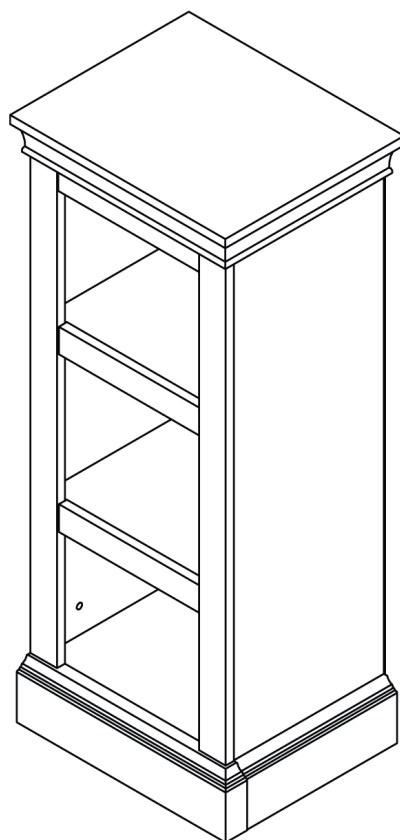
# 19

|   |   |   |
|---|---|---|
| E |  | 8 |
|---|---|---|




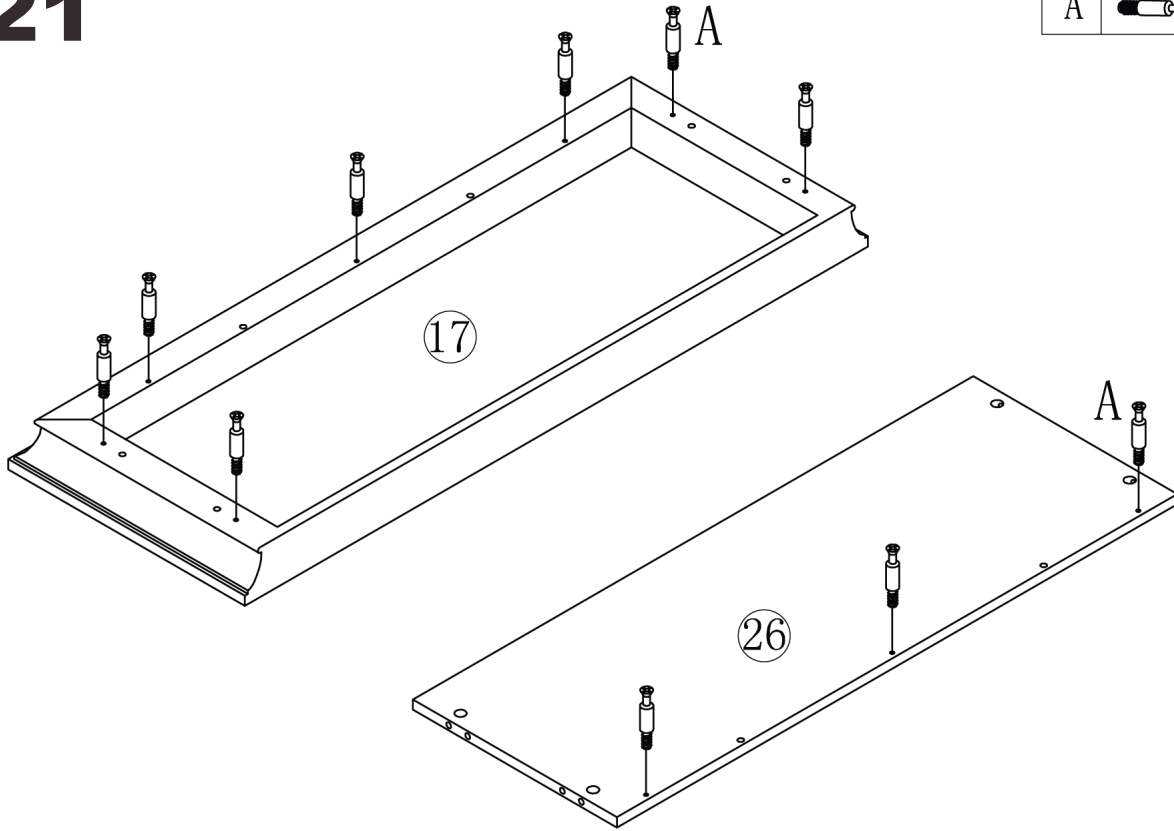
---

# 20




# 21

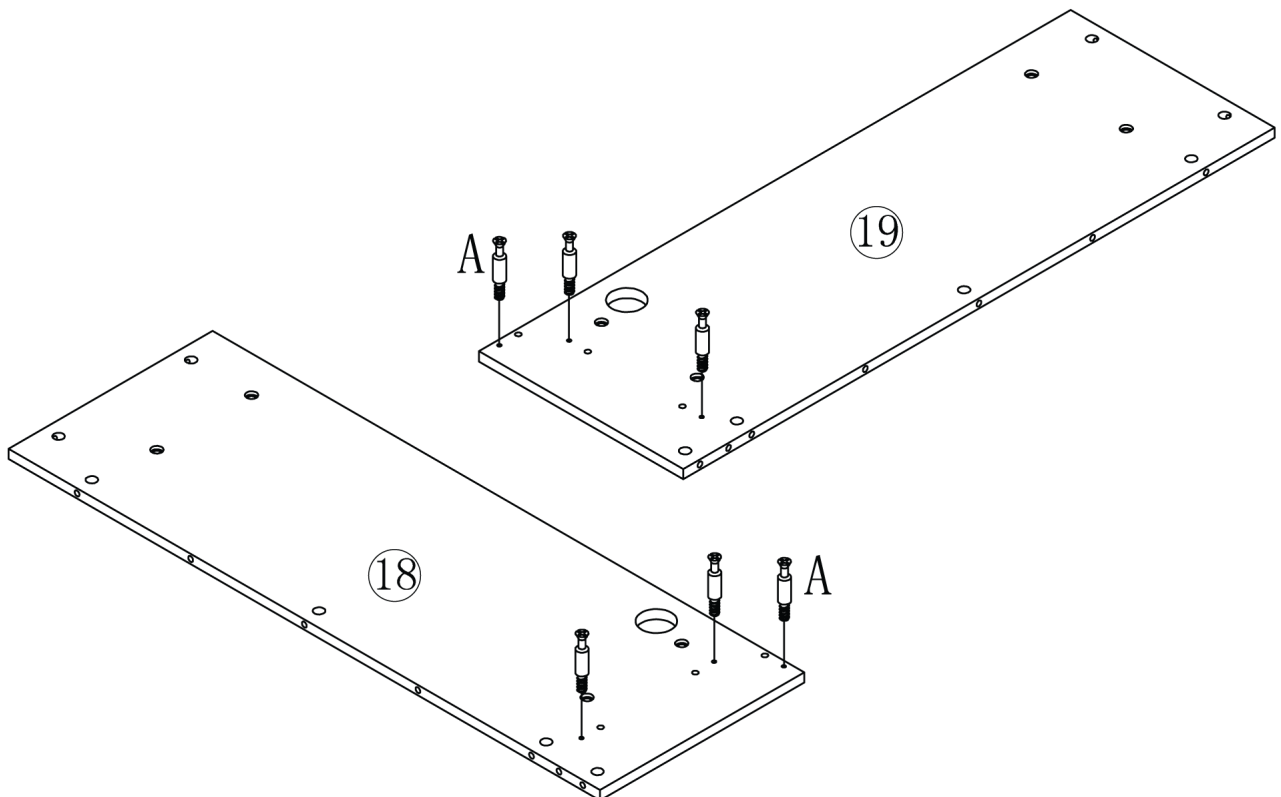
|   |   |    |
|---|---|----|
| A |  | 10 |
|---|---|----|




---

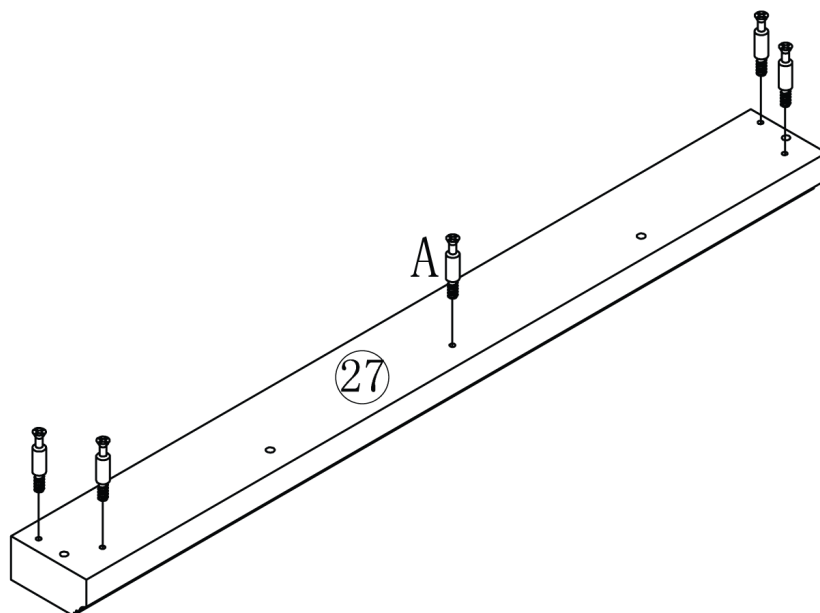
# 22

|   |   |   |
|---|---|---|
| A |  | 6 |
|---|---|---|




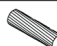
# 23

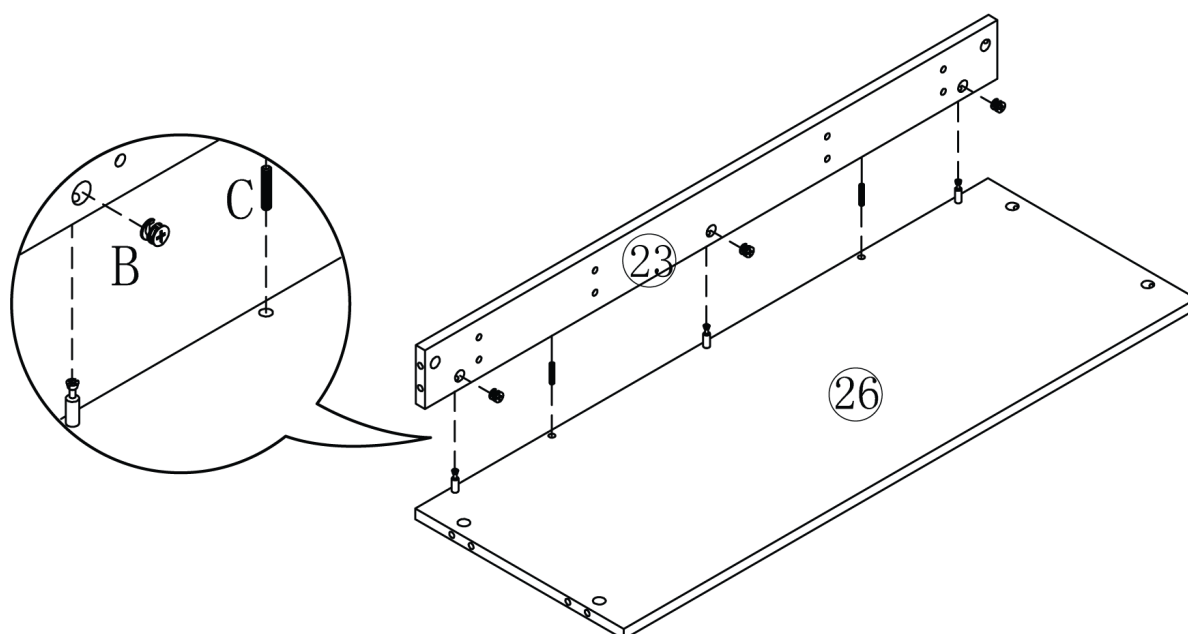
|   |   |   |
|---|---|---|
| A |  | 5 |
|---|---|---|




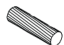
---

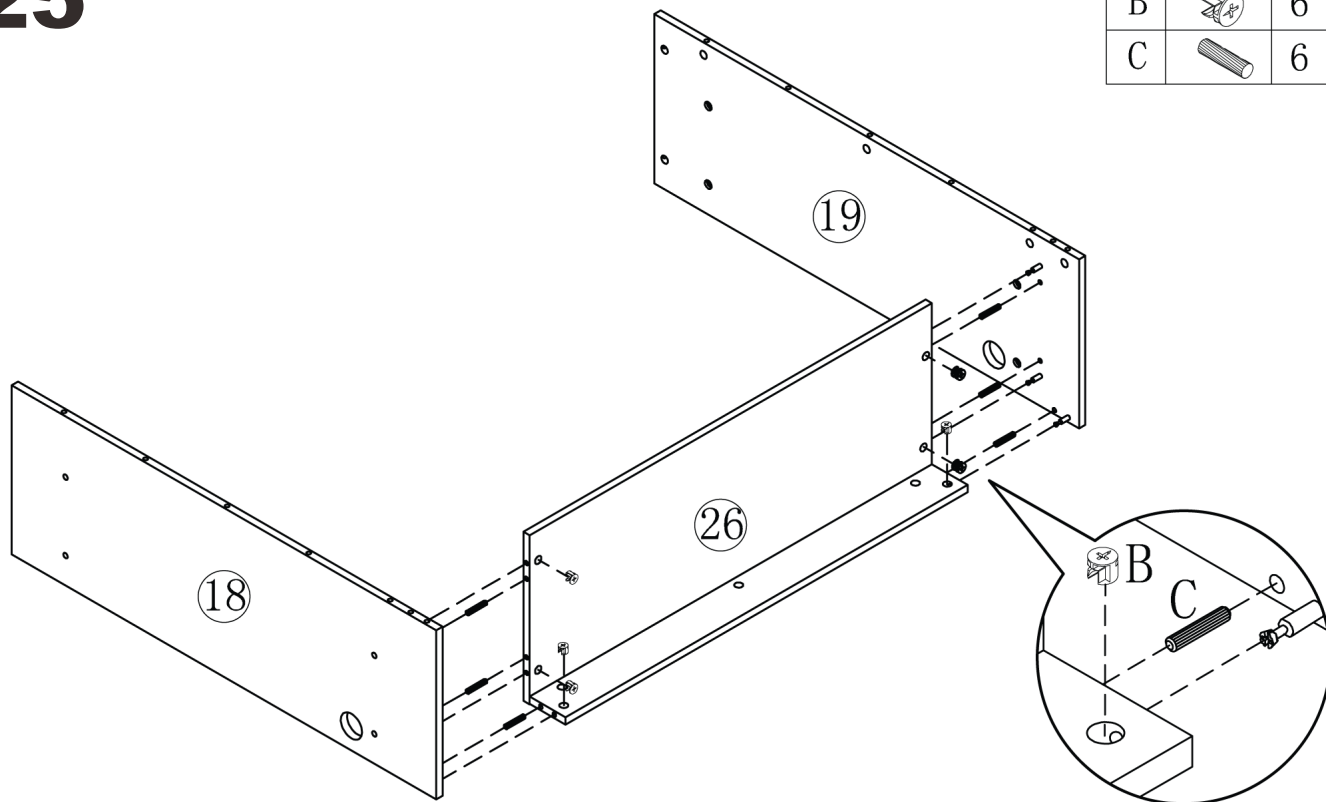
# 24

|   |   |   |
|---|---|---|
| B |  | 3 |
| C |  | 2 |

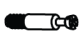

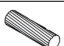



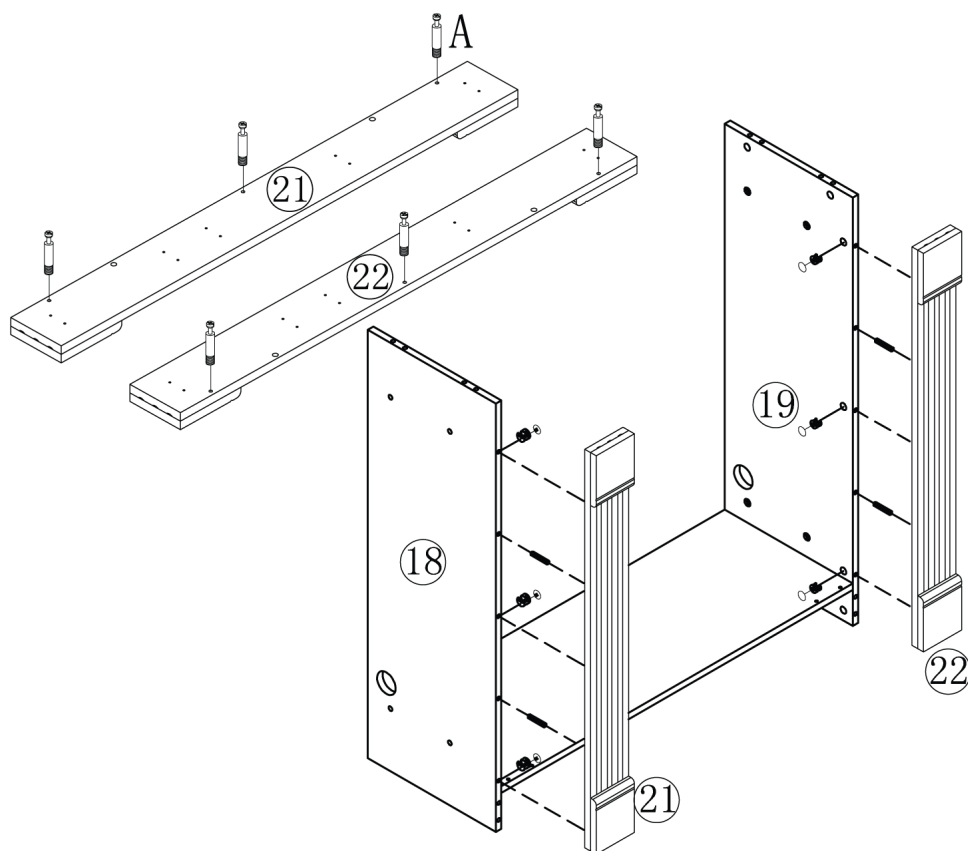
# 25

|   |   |   |
|---|---|---|
| B |  | 6 |
| C |  | 6 |

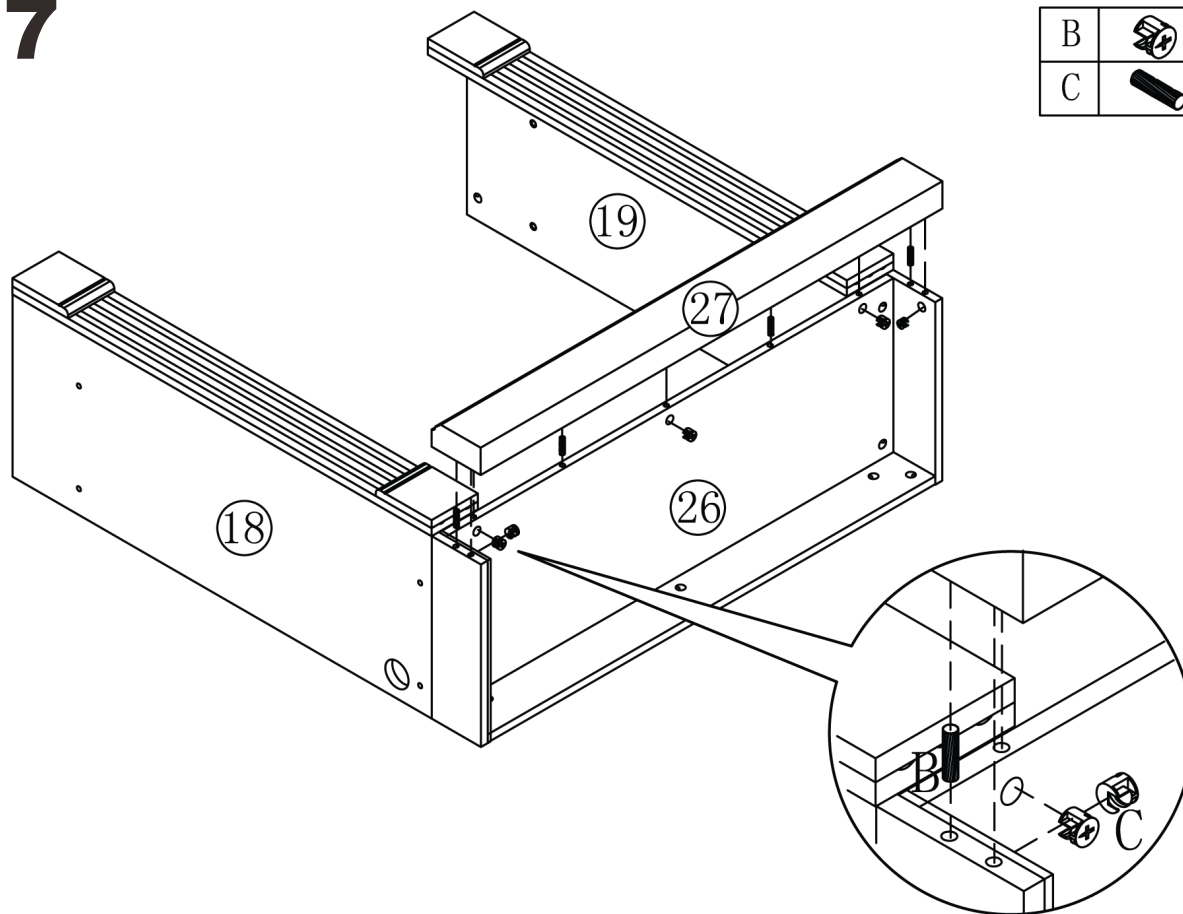




# 26

|   |   |   |
|---|---|---|
| A |  | 6 |
| B |  | 6 |
| C |  | 4 |
| D |  | 6 |

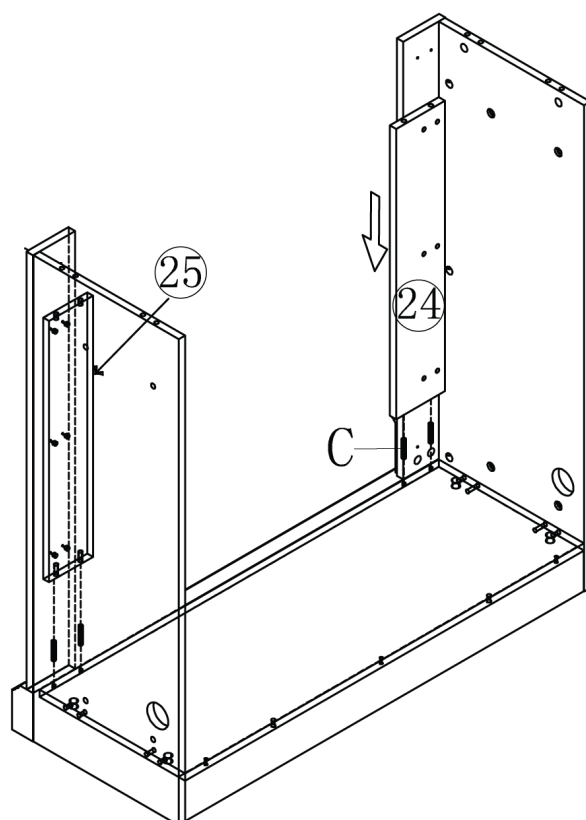



# 27



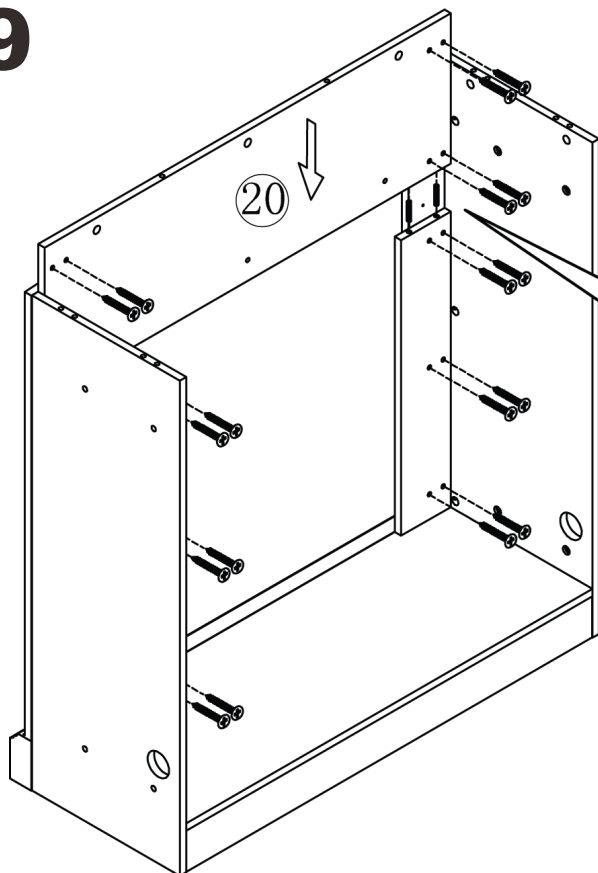
|   |   |   |
|---|---|---|
| B |  | 5 |
| C |  | 4 |

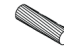

# 28

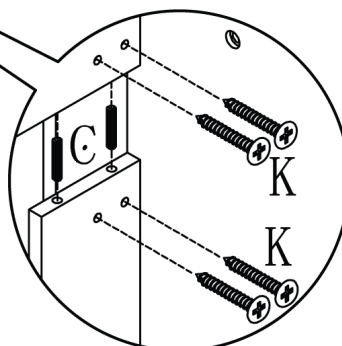


|   |   |   |
|---|---|---|
| C |  | 4 |
|---|---|---|

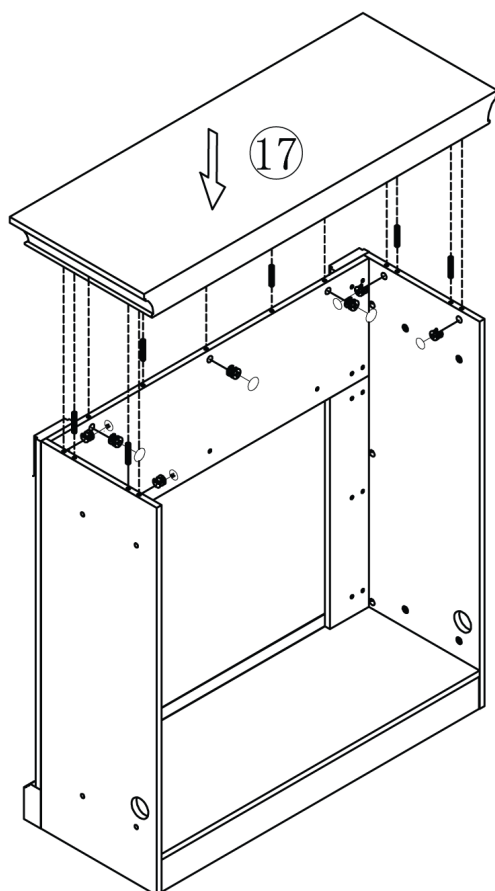
# 29


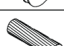



|   |   |    |
|---|---|----|
| C |  | 4  |
| K |  | 20 |

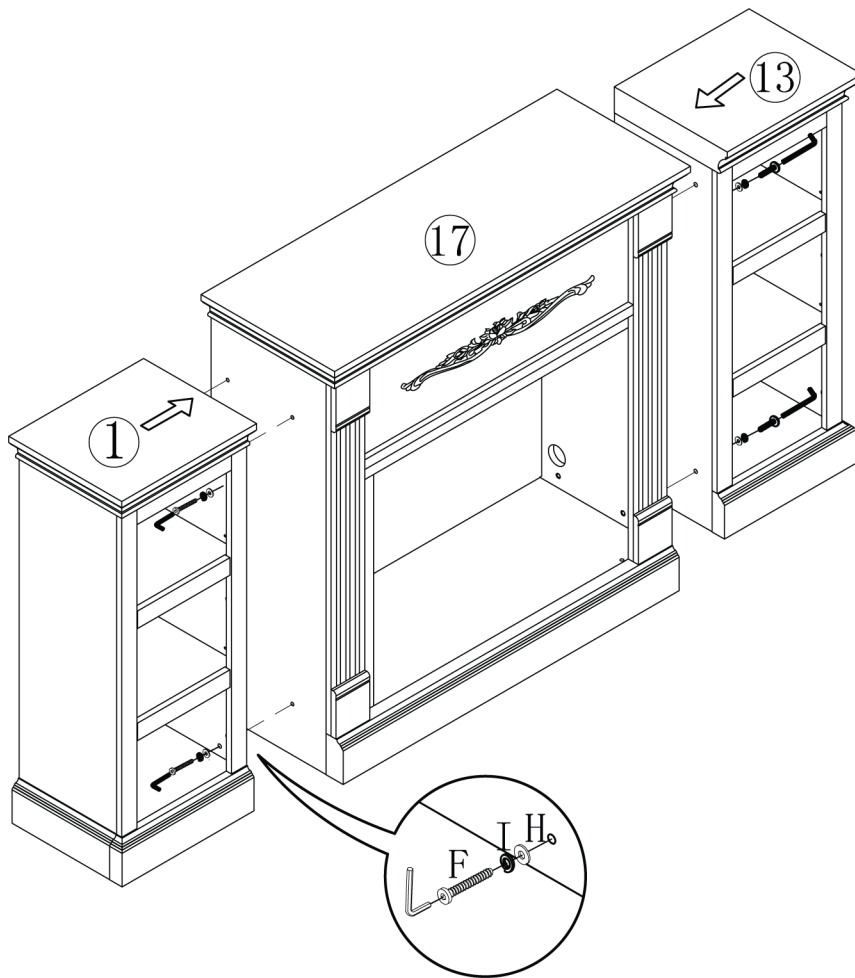


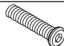
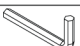


# 30



|   |   |   |
|---|---|---|
| B |  | 7 |
| C |  | 6 |
| D |  | 7 |

# 31



|   |   |   |
|---|---|---|
| F |  | 8 |
| G |  | 1 |
| H |  | 8 |
| I |  | 8 |

---

# 32

